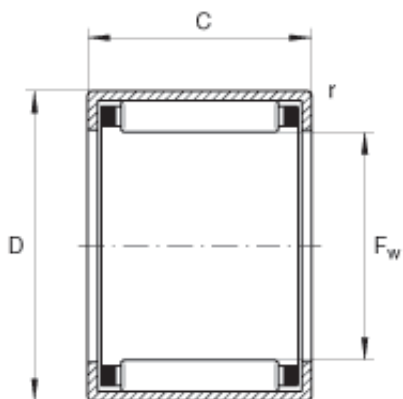




# BEARING CORP.OF AMERICA



## Zys Original Brand Motorcycle Parts Rolamento Crankshaft Needle Roller Bearing HK1512

Bearing No. HK1512

|                             |                                       |
|-----------------------------|---------------------------------------|
| Size                        | 15x21x12 mm                           |
| Bore Diameter               | 15 mm                                 |
| Outer Diameter              | 21 mm                                 |
| Width                       | 12 mm                                 |
| $F_w$                       | 15 mm                                 |
| D                           | 21 mm                                 |
| C - 12 mm / Tolerance: -0,3 | 12 mm / Tolerance: 0,3                |
| $r_{min}$                   | 0,8 mm                                |
| m                           | 11 g / Weight                         |
| $C_r$                       | 7900 N / Dynamic load rating (radial) |
| $C_{0r}$                    | 9400 N / Static load rating (radial)  |
| $C_{ur}$                    | 1150 N / Fatigue limit load, radial   |
| $n_G$                       | 16300 1/min / Limiting speed          |
| $n_B$                       | 11400 1/min / Reference speed         |
|                             | LR12X15X12,5 / Suitable inner ring    |
|                             | IR12X15X12,5 / Suitable inner ring    |
| Category                    | Needle Non Thrust Roller Bearings     |
| Inventory                   | 6.0                                   |
| Manufacturer Name           | SCHAEFFLER GROUP                      |
| Minimum Buy Quantity        | N/A                                   |

HK1512 Bearing 2D drawings and 3D CAD models



## BEARING CORP.OF AMERICA

|                           |  |
|---------------------------|--|
| Weight / Kilogram         | 0.01   |
| EAN                       | 4026677166975  |
| Product Group             | B04144   |
| Rolling Element           | Needle Roller Bearing  |
| Component                 | Roller Assembly with Outer Ring - No Inner Ring  |
| Enclosure                 | Open   |
| Self Aligning             | No   |
| Retainer                  | Yes  |
| Number of Rows of Rollers | Single Row   |
| Separable                 | No   |
| Closed End                | No   |
| Inch - Metric             | Metric   |
| Relubricatable            | No   |
| Thrust Bearing            | No   |
| Long Description          | 15MM Bore; 21MM Outside Diameter; 12MM Width; Needle Roller Bearing; Roller Assembly with Outer Ring - No Inner Ring; Open; Not Self Aligning; Retainer; Single Row of Rollers; Not Separable; Not Close |
| Other Features            | 2 Rib Outer Ring   Drawn Cup Bearing   Steel Cage  |
| Category                  | Needle Non Thrust Roller Bearing   |
| UNSPSC                    | 31171512   |
| Harmonized Tariff Code    | 8482.99.65.30  |
| Noun                      | Roller Assembly with Outer Ring  |
| Keyword String            | Bearing Needle   |
| Manufacturer URL          | <a href="http://www.ina.com">http://www.ina.com</a>  |
| Manufacturer Item Number  | HK1512   |
| Weight / LBS              | 0.024  |



## BEARING CORP.OF AMERICA

|                  |                            |
|------------------|----------------------------|
| Outside Diameter | 0.827 Inch   21 Millimeter |
| Width            | 0.472 Inch   12 Millimeter |
| Bore             | 0.591 Inch   15 Millimeter |