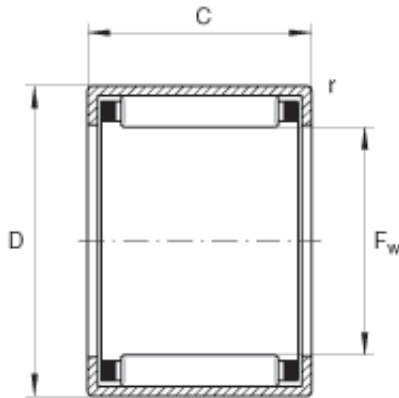




# BEARING CORP.OF AMERICA



## China Supplier OEM Punched Outer Ring Needle Roller Bearing HK1512 HK1614 HK1616 HK1617

Bearing No. HK1512

HK1512 Bearing 2D drawings and 3D CAD models

Size	15x21x12 mm
Bore Diameter	15 mm
Outer Diameter	21 mm
Width	12 mm
$F_w$	15 mm
D	21 mm
C - 12 mm / Tolerance: -0,3	12 mm / Tolerance: 0,3
$r_{min}$	0,8 mm
m	11 g / Weight
$C_r$	7900 N / Dynamic load rating (radial)
$C_{Or}$	9400 N / Static load rating (radial)
$C_{ur}$	1150 N / Fatigue limit load, radial
$n_G$	16300 1/min / Limiting speed
$n_B$	11400 1/min / Reference speed
	LR12X15X12,5 / Suitable inner ring
	IR12X15X12,5 / Suitable inner ring
Category	Needle Non Thrust Roller Bearings
Inventory	6.0
Manufacturer Name	SCHAEFFLER GROUP



## BEARING CORP.OF AMERICA

Minimum Buy Quantity	N/A
Weight / Kilogram	0.01
EAN	4026677166975
Product Group	B04144
Rolling Element	Needle Roller Bearing
Component	Roller Assembly with Outer Ring - No Inner Ring
Enclosure	Open
Self Aligning	No
Retainer	Yes
Number of Rows of Rollers	Single Row
Separable	No
Closed End	No
Inch - Metric	Metric
Relubricatable	No
Thrust Bearing	No
Long Description	15MM Bore; 21MM Outside Diameter; 12MM Width; Needle Roller Bearing; Roller Assembly with Outer Ring - No Inner Ring; Open; Not Self Aligning; Retainer; Single Row of Rollers; Not Separable; Not Close
Other Features	2 Rib Outer Ring   Drawn Cup Bearing   Steel Cage
Category	Needle Non Thrust Roller Bearing
UNSPSC	31171512
Harmonized Tariff Code	8482.99.65.30
Noun	Roller Assembly with Outer Ring
Keyword String	Bearing Needle
Manufacturer URL	<a href="http://www.ina.com">http://www.ina.com</a>
Manufacturer Item Number	HK1512



## BEARING CORP.OF AMERICA

Weight / LBS	0.024
Outside Diameter	0.827 Inch   21 Millimeter
Width	0.472 Inch   12 Millimeter
Bore	0.591 Inch   15 Millimeter