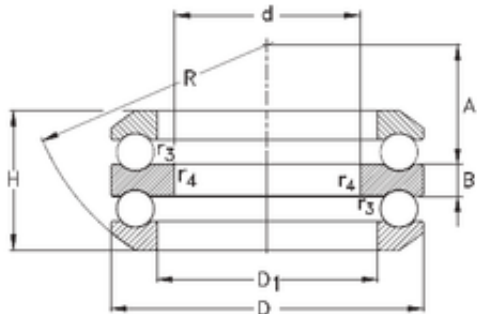




BEARING CORP.OF AMERICA

55 mm x 150 mm x 24 mm NKE 54414-MP thrust ball bearings

Bearing No. 54414-MP



54414-MP Bearing 2D drawings and 3D CAD models

Size	55x150x114.1 mm
Bore Diameter	55 mm
Outer Diameter	150 mm
Width	114,1 mm
d	55 mm
D	150 mm
H	114,1 mm
r1 min.	2 mm
r2 min.	2 mm
r3 min.	1 mm
r4 min.	1 mm
A	28,5 mm
B	24 mm
D1	73 mm
R	112 mm
Weight	6,77 Kg
Basic dynamic load rating (C)	236 kN
Basic static load rating (C0)	500 kN