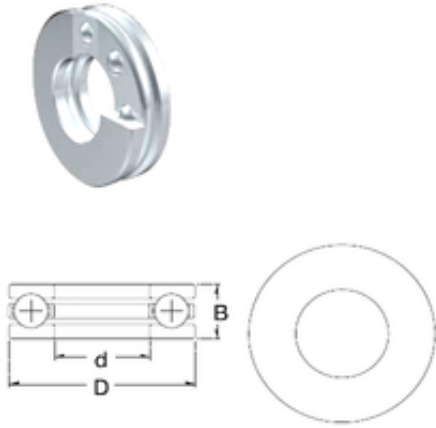




# BEARING CORP.OF AMERICA

## ZEN S51108 thrust ball bearings

Bearing No. S51108



S51108 Bearing 2D drawings and 3D CAD models

Size	40x60x13 mm
Bore Diameter	40 mm
Outer Diameter	60 mm
Width	13 mm
d	40 mm
D	60 mm
H	13 mm
Basic dynamic load rating (C)	23,4 kN
Basic static load rating (C0)	40 kN
(Grease) Lubrication Speed	3800 r/min