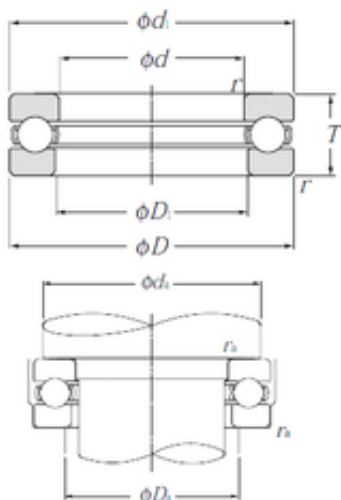




BEARING CORP.OF AMERICA



NTN 51115 thrust ball bearings

Bearing No. 51115

Size	75x100x19 mm
Bore Diameter	75 mm
Outer Diameter	100 mm
Width	19 mm
d	75 mm
D	100 mm
T	19 mm
d1	100 mm
r min.	1 mm
D1	77 mm
da min.	90 mm
Da max.	85 mm
ra max.	1 mm
Weight	0,399 Kg
Basic dynamic load rating (C)	44,5 kN
Basic static load rating (C0)	136 kN
(Grease) Lubrication Speed	2 200 r/min
Category	Thrust Ball Bearing
Inventory	0.0
Manufacturer Name	NTN
Minimum Buy Quantity	N/A
Weight / Kilogram	0.4
EAN	4547359306156
Product Group	B00308
Rolling Element	Ball Bearing
Thrust Bearing	Yes

51115 Bearing 2D drawings and 3D CAD models



BEARING CORP.OF AMERICA

Single or Double Direction	Single Direction
Banded	No
Cage Material	Steel
Precision Class	ABEC 1 ISO P0
Component Description	Roller Assembly Plus Raceways
Other Features	Single Row With Flat Seat
Long Description	75MM Bore 1; 77MM Bore 2; 100MM Outside Diameter; 19MM Height; Ball Bearing; Single Direction; Not Banded; Steel Cage; ABEC 1 ISO P0 Precision
Inch - Metric	Metric
Category	Thrust Ball Bearings
UNSPSC	31171552
Harmonized Tariff Code	8482.10.50.08
Noun	Bearing
Keyword String	Ball Thrust
Manufacturer URL	http://www.ntnamerica.com
Manufacturer Item Number	51115
Weight / LBS	0.87964
Overall Height with Aligning Washer	0 Inch 0 Millimeter
Outside Diameter	3.937 Inch 100 Millimeter
Bore 2	3.031 Inch 77 Millimeter
Bore 1	2.953 Inch 75 Millimeter
Height	0.748 Inch 19 Millimeter
bore diameter:	75 mm
dynamic load capacity:	44500 N
outside diameter:	100 mm
operating temperature range:	-40 to 120 ° C



BEARING CORP.OF AMERICA

overall width:	19 mm
maximum rpm:	3200 rpm
thrust bearing type:	Single-Direction
bearing material:	High Carbon Chrome Steel
outside diameter design:	Straight
cage material:	Steel
separable or banded:	Separable
fillet radius:	1 mm
precision rating:	ISO Class 0
series:	511
static load capacity:	136000 N
manufacturer product page:	Click here