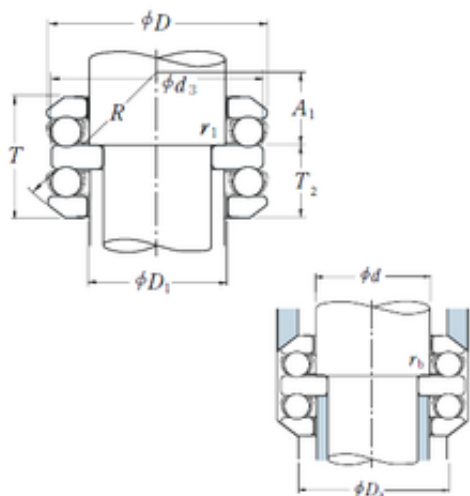




BEARING CORP.OF AMERICA

20 mm x 40 mm x 6 mm NSK 54204 thrust ball bearings

Bearing No. 54204



54204 Bearing 2D drawings and 3D CAD models

Size	20x40x27.4 mm
Bore Diameter	20 mm
Outer Diameter	40 mm
Width	27,4 mm
d	20 mm
d2	15 mm
D	40 mm
T	27,4 mm
T2	16,7 mm
d3	40 mm
r min.	0,6 mm
r1 min.	0,3 mm
A1	16 mm
B	6 mm
D1	22 mm
R	36 mm
Da max.	30 mm
ra max.	0,6 mm
rb max.	0,3 mm
Weight	0,151 Kg
Basic dynamic load rating (C)	22,5 kN
Basic static load rating (C0)	37,5 kN
(Grease) Lubrication Speed	4000 r/min
Category	Thrust Ball Bearing
Inventory	0.0



BEARING CORP.OF AMERICA

Manufacturer Name	NSK
Minimum Buy Quantity	N/A
Weight / Kilogram	0.114
Product Group	B00308
Rolling Element	Ball Bearing
Thrust Bearing	Yes
Single or Double Direction	Double Direction
Banded	No
Cage Material	Steel
Precision Class	Non-Precision
Component Description	Roller Assembly Plus Raceways
Other Features	Double Row With Aligning Seat
Long Description	15MM Bore 1; 22MM Bore 2; 40MM Outside Diameter; 27.4MM Height; Ball Bearing; Double Direction; Not Banded; Steel Cage; Non-Precision
Inch - Metric	Metric
Category	Thrust Ball Bearings
UNSPSC	31171552
Harmonized Tariff Code	8482.10.50.08
Noun	Bearing
Keyword String	Ball Thrust
Manufacturer URL	http://www.nskamericas.com
Weight / LBS	0.32628
Bore 1	0.591 Inch 15 Millimeter
Outside Diameter	1.575 Inch 40 Millimeter
Bore 2	0.866 Inch 22 Millimeter
Overall Height with Aligning Washer	0 Inch 0 Millimeter
Height	1.079 Inch 27.4 Millimeter



BEARING CORP.OF AMERICA