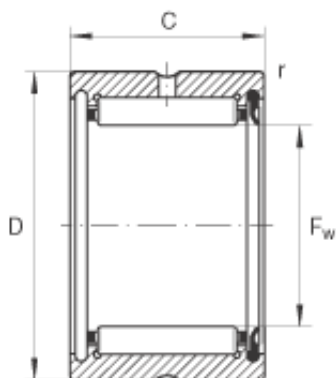




BEARING CORP.OF AMERICA

INA RNA4910-RSR needle roller bearings



Bearing No. RNA4910-RSR

Size	58x72x22 mm
Bore Diameter	58 mm
Outer Diameter	72 mm
Width	22 mm
F_w	58 mm
D	72 mm
C	22 mm
r_{min}	0,6 mm
m	160 g / Weight
C_r	45000 N / Dynamic load rating (radial)
C_{Or}	64000 N / Static load rating (radial)
C_{ur}	10600 N / Fatigue limit load, radial
$n_{G\ Fett}$	3500 1/min / Limiting speed for grease lubrication
Category	Needle Non Thrust Roller Bearings
Inventory	0.0
Manufacturer Name	SCHAEFFLER GROUP
Minimum Buy Quantity	N/A
Weight / Kilogram	0.16
EAN	4012802701586
Product Group	B04144
Rolling Element	Needle Roller Bearing
Component	Roller Assembly with Outer Ring - No Inner Ring

RNA4910-RSR Bearing 2D drawings and 3D CAD models



BEARING CORP.OF AMERICA

Enclosure	1 Seal
Self Aligning	No
Retainer	Yes
Number of Rows of Rollers	Single Row
Separable	No
Closed End	No
Inch - Metric	Metric
Relubricatable	Yes
Thrust Bearing	No
Long Description	58MM Bore; 72MM Outside Diameter; 22MM Width; Needle Roller Bearing; Roller Assembly with Outer Ring - No Inner Ring; 1 Seal Enclosure; No Self Aligning; Retainer; Single Row of Rollers; No Separable;
Other Features	2 Rib Outer Ring Precision Bearing Steel Cage Ground Raceway with Rib Oil Hole
Category	Needle Non Thrust Roller Bearing
UNSPSC	31171512
Harmonized Tariff Code	8482.40.00.00
Noun	Bearing
Keyword String	Needle
Manufacturer URL	http://www.ina.com
Manufacturer Item Number	RNA4910RS
Weight / LBS	0.353
Outside Diameter	2.835 Inch 72 Millimeter
Width	0.866 Inch 22 Millimeter
Bore	2.283 Inch 58 Millimeter