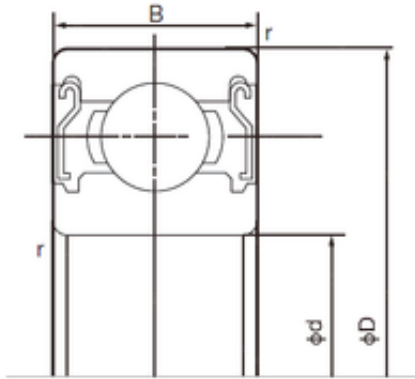




BEARING CORP.OF AMERICA

75 mm x 160 mm x 37 mm NACHI 6315ZZE deep groove ball bearings



Bearing No. 6315ZZE

6315ZZE Bearing 2D drawings and 3D CAD models

Size	75x160x37 mm
Bore Diameter	75 mm
Outer Diameter	160 mm
Width	37 mm
d	75 mm
D	160 mm
B	37 mm
C	37 mm
r min.	2.1 mm
da min.	87 mm
Da max.	148 mm
ra max.	2.0 mm
Weight	3.02 Kg
Basic dynamic load rating (C)	113 kN
Basic static load rating (C0)	77 kN
Category	Single Row Ball Bearings
Inventory	0.0
Manufacturer Name	NACHI
Minimum Buy Quantity	N/A
Weight / Kilogram	0
Product Group	B00308
Enclosure	2 Metal Shields
Precision Class	ABEC 1 ISO P0
Maximum Capacity / Filling Slot	No



BEARING CORP.OF AMERICA

Rolling Element	Ball Bearing
Snap Ring	No
Internal Special Features	No
Cage Material	Steel
Internal Clearance	C0-Medium
Inch - Metric	Metric
Long Description	75MM Bore; 160MM Outside Diameter; 37MM Outer Race Width; 2 Metal Shields; Ball Bearing; ABEC 1 ISO P0; No Filling Slot; No Snap Ring; No Internal Special Features; C0-Medium Internal Clearance; Ste
Other Features	Deep Groove
Category	Single Row Ball Bearing
UNSPSC	31171504
Harmonized Tariff Code	8482.10.50.68
Noun	Bearing
Keyword String	Ball
Manufacturer URL	http://www.nachiamerica.com
Inner Race Width	0 Inch 0 Millimeter
Outside Diameter	6.299 Inch 160 Millimeter
Outer Race Width	1.457 Inch 37 Millimeter
Bore	2.953 Inch 75 Millimeter
Bore Type	Cylindrical Bore
Configuration	Single Row
Bore Size	75 mm
Width	37 mm
Fillet Radius/Chamfer	2.1 mm
Dynamic Load Rating	113,000 N
Static Load Rating	77,000 N
Limiting Speed - Grease	4,300 rpm



BEARING CORP.OF AMERICA

Factor fo	13.2
Radial Clearance	0.010 to 0.030 mm
da (min)	87 mm
Da (max)	148 mm
ra (max)	2 mm