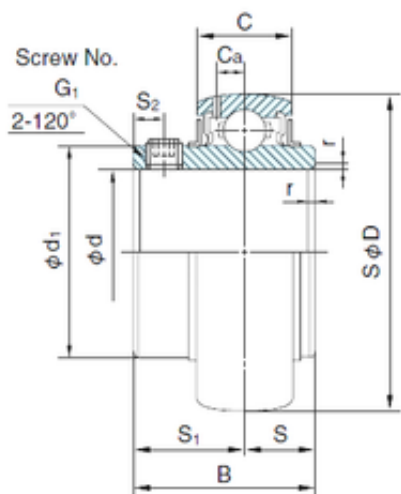




BEARING CORP.OF AMERICA



50 mm x 90 mm x 51.6 mm NACHI UC210 deep groove ball bearings

Bearing No. UC210

Size	50x90x51.6 mm
Bore Diameter	50 mm
Outer Diameter	90 mm
Width	51.6 mm
d	50 mm
D	90 mm
B	51.6 mm
C	23 mm
S1	32.6 mm
Ca	6.5 mm
d1	63 mm
r	2 mm
S	19 mm
S2	9 mm
Thread (G)	M10 x 1.25
Weight	0.78 Kg
Basic dynamic load rating (C)	35,5 kN
Category	Bearings
Inventory	0.0
Manufacturer Name	NACHI
Minimum Buy Quantity	N/A
Weight / Kilogram	0
Product Group	M06110

UC210 Bearing 2D drawings and 3D CAD models