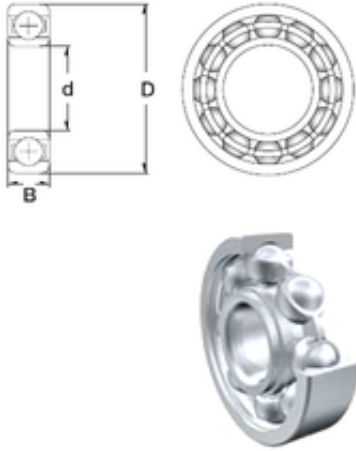




BEARING CORP.OF AMERICA



150 mm x 225 mm x 24 mm ZEN 16030 deep groove ball bearings

Bearing No. 16030

Size	150x225x24 mm
Bore Diameter	150 mm
Outer Diameter	225 mm
Width	24 mm
d	150 mm
D	225 mm
B	24 mm
C	24 mm
Weight	3,15 Kg
Basic dynamic load rating (C)	70 kN
Basic static load rating (C0)	72,5 kN

16030 Bearing 2D drawings and 3D CAD models