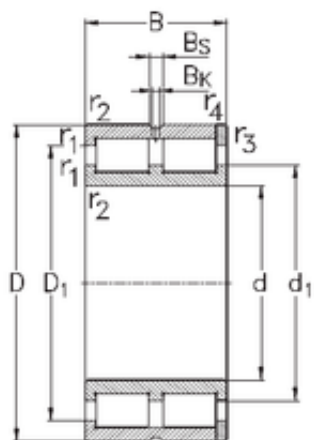




BEARING CORP.OF AMERICA



220 mm x 300 mm x 80 mm NKE NNC4944-V cylindrical roller bearings

Bearing No. NNC4944-V

Size	220x300x80 mm
Bore Diameter	220 mm
Outer Diameter	300 mm
Width	80 mm
d	220 mm
D	300 mm
B	80 mm
C	80 mm
d1	250 mm
r1 min.	2,1 mm
r2 min.	2,1 mm
r3 min.	2,1 mm
r4 min.	2,1 mm
D1	268 mm
Weight	17,5 Kg
Basic dynamic load rating (C)	692 kN
Basic static load rating (C0)	1619 kN

NNC4944-V Bearing 2D drawings and 3D CAD models