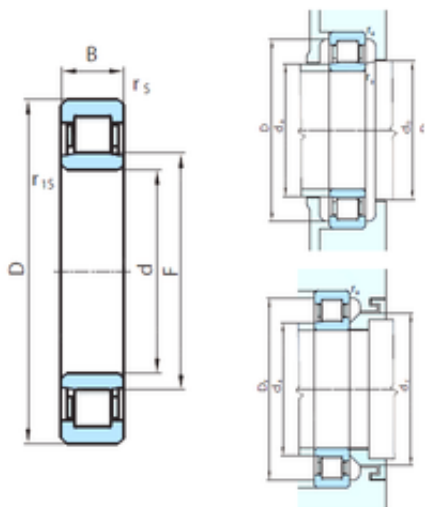




# BEARING CORP.OF AMERICA



280 mm x 420 mm x 65 mm PSL NU1056  
cylindrical roller bearings

Bearing No. NU1056

Size	280x420x65 mm
Bore Diameter	280 mm
Outer Diameter	420 mm
Width	65 mm
d	280 mm
F	316 mm
D	420 mm
B	65 mm
C	65 mm
r min.	4 mm
r1 max.	4 mm
S	4,5 mm
da min.	296 mm
da max	311 mm
Da max.	404 mm
db min	320 mm
ra max.	3 mm
Weight	32,5 Kg
Basic dynamic load rating (C)	681 kN
Basic static load rating (C0)	1020 kN
(Grease) Lubrication Speed	1300 r/min

NU1056 Bearing 2D drawings and 3D CAD models