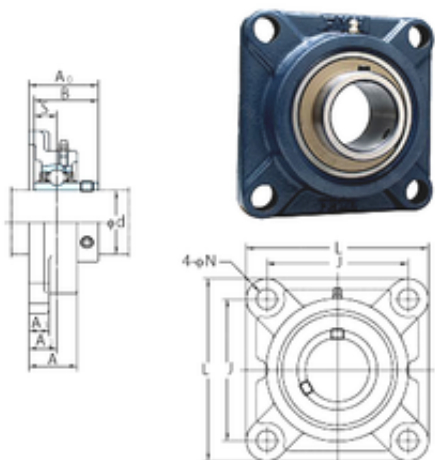




BEARING CORP.OF AMERICA

FYH UCFX20-63 bearing units



Bearing No. UCFX20-63

Bore Diameter	100,0125 mm
d	100,0125 mm
A0	127,3 mm
A	97 mm
A1	28 mm
B	117,5 mm
J	211 mm
L	268 mm
N	31 mm
S	49,2 mm
Bolt (G)	M27
A2	59 mm
Weight	19,4 Kg
Basic dynamic load rating (C)	133 kN
Basic static load rating (C0)	105 kN

UCFX20-63 Bearing 2D drawings and 3D CAD models