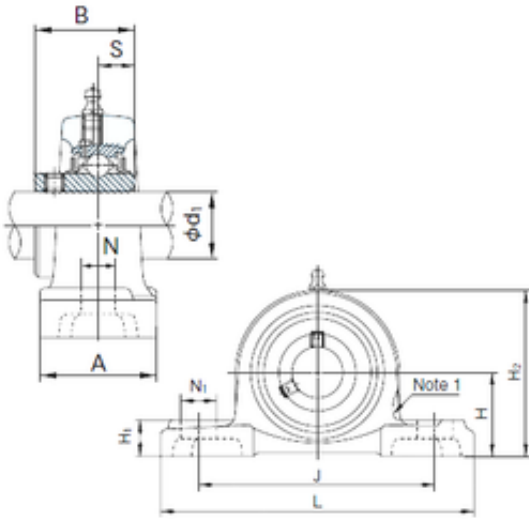




BEARING CORP.OF AMERICA

NACHI UCPX17 bearing units

Bearing No. UCPX17



UCPX17 Bearing 2D drawings and 3D CAD models

Bore Diameter	85 mm
Width	96 mm
d	85 mm
A	102 mm
B	96 mm
H	101.6 mm
H1	42 mm
H2	202 mm
J	283 mm
L	381 mm
N	27 mm
N1	59 mm
S	39.7 mm
Bolt (G)	M22
Category	Bearings
Inventory	0.0
Manufacturer Name	NACHI
Minimum Buy Quantity	N/A
Weight / Kilogram	0
Product Group	M06110