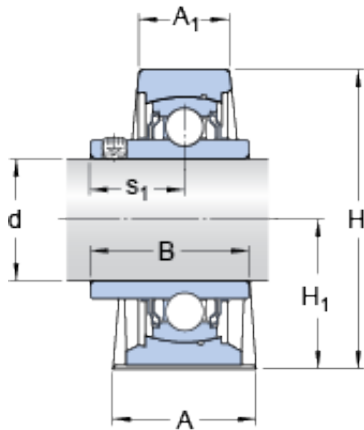




BEARING CORP.OF AMERICA



SY 1.15/16 TF/VA228 Bearing 2D drawings and 3D CAD models

SKF SY 1.15/16 TF/VA228 bearing units

Bearing No. SY 1.15/16 TF/VA228

Size	54x49.213x37 mm
Bore Diameter	54 mm
Outer Diameter	49,213 mm
Width	37 mm
d	49.213 mm
A	54 mm
A ₁	37 mm
H	114 mm
H ₁	57.2 mm
H ₂	22 mm
L	203 mm
J	157 mm
H	26 mm
N ₁	18 mm
B	51.6 mm
s ₁	32.6 mm
Basic dynamic load rating - C	35.1 kN
Basic static load rating - C ₀	23.2 kN
Limiting speed	120 r/min
Limiting temperature - T	350 ° C
Mass bearing unit	2.78 kg
Grub (set) screw - G ₂ - 3/8-24 UNF	3/824 UNF
Hexagonal key size for grub screw - H	4.762 mm



BEARING CORP.OF AMERICA

Recommended tightening torque for grub screw	16.5 N · m
Category	Pillow Block Bearings
Inventory	0.0
Manufacturer Name	SKF
Minimum Buy Quantity	N/A
Weight / Kilogram	2.86
EAN	7316571381152
Product Group	M06110
Number of Mounting Holes	2
Mounting Method	Set Screw
Housing Style	2 Bolt Pillow Block
Rolling Element	Ball Bearing
Housing Material	Cast Iron
Expansion / Non-expansion	Non-expansion
Mounting Bolts	5/8 Inch
Relubricatable	Yes
Insert Part Number	YAR 210-115-2F/VA228
Seals	M Seal
Housing Configuration	1 Piece Solid
Inch - Metric	Inch
Other Features	Single Row Standard Duty Wide Inner Race High Temperature Bearing with Graphite Has Flinger Y Bearing
Long Description	2 Bolt Pillow Block; 1-15/16" Bore; 2-1/4" Base to Center Height; Set Screw Mount; Ball Bearing; 5-7/8" Minimum Bolt Spacing; 6-1/2" Bolt Spacing Maximum; Relubricatable; Cast Iron
Category	Pillow Block
UNSPSC	31171511



BEARING CORP.OF AMERICA

Harmonized Tariff Code	8483.20.40.40
Noun	Bearing
Keyword String	Pillow Block
Manufacturer URL	http://www.skf.com
Manufacturer Item Number	SY 1.15/16 TF/VA228
Weight / LBS	6.3
Actual Bolt Center to Center	0 Inch 0Millimeter
Nominal Bolt Center to Center	6.3 Inch 160 Millimeter
Base to Center Height	2.25 Inch 57.15 Millimeter
Length Thru Bore	2.031 Inch 51.59 Millimeter
Bolt Spacing Minimum	5.875 Inch 149.225Millimeter
Bore	1.938 Inch 49.225 Millimeter
Bolt Spacing Maximum	6.5 Inch 165.1Millimeter
mounting:	Two-Bolt Base
finish/coating:	Uncoated
bore diameter:	1.9375 in
overall width:	2-1/32 in
bore type:	Round
radial static load capacity:	5220 lbf
base to bore centerline:	22 mm
base width:	54 mm
housing material:	Cast Iron
bolt center-to-center length:	203 mm
locking device:	Set Screw
lubrication type:	Lubrication Fitting
expansion type:	Non-Expansion Bearing (Fixed)
series:	SY
overall length:	26 mm



BEARING CORP.OF AMERICA

standards met:	ISO
overall height:	57.2 mm
A ₁	37 mm
H ₁	57.2 mm
H ₂	22 mm
N	26 mm
N ₁	18 mm
s ₁	32.6 mm
Basic dynamic load rating C	35.1 kN
Basic static load rating C ₀	23.2 kN
Limiting temperature T max.	350 ° C
Grub (set) screw G ₂	3/8-24 UNF
Hexagonal key size for grub screw N	4.763 mm
Attachment bolts, recommended metric size G	16 mm