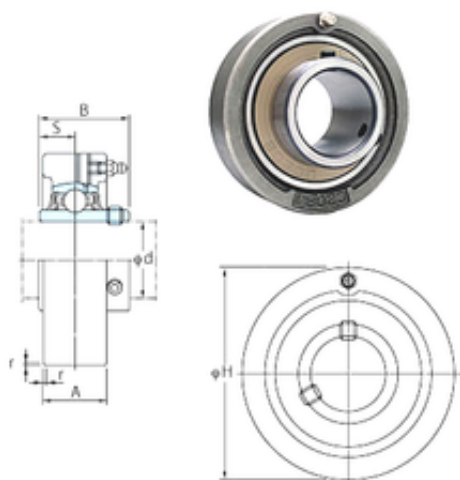




BEARING CORP.OF AMERICA

FYH UCC211-35 bearing units

Bearing No. UCC211-35



Bore Diameter	55,5625 mm
Width	55,6 mm
d	55,5625 mm
r	2,5 mm
A	35 mm
B	55,6 mm
H	125 mm
S	22,2 mm
Weight	2,2 Kg
Basic dynamic load rating (C)	43,4 kN
Basic static load rating (C0)	29,4 kN

UCC211-35 Bearing 2D drawings and 3D CAD models