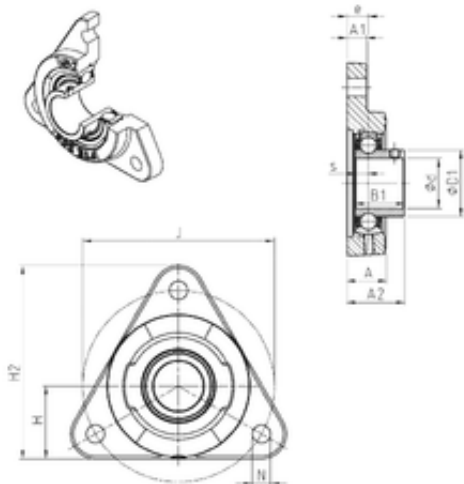




BEARING CORP.OF AMERICA

SNR USFTE205 bearing units

Bearing No. USFTE205



USFTE205 Bearing 2D drawings and 3D CAD models

Bore Diameter	25 mm
d	25 mm
e	12,6 mm
s	7,5 mm
A	22 mm
A1	12 mm
B1	27 mm
D1	34 mm
H	36 mm
H2	97 mm
J	96 mm
N	11 mm
Thread (G)	R1/8"
A2	32,1 mm
Weight	0,6 Kg
Basic dynamic load rating (C)	14 kN