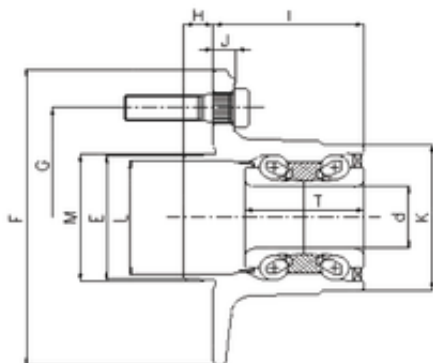




BEARING CORP.OF AMERICA

ILJIN IJ122016 angular contact ball bearings



Bearing No. IJ122016

Bore Diameter	31,769 mm
d	31,769 mm
I	58,5 mm
K	74 mm
E	63,24 mm
F	139 mm
G	108 mm
H	13,3 mm
J	10 mm
L	58 mm
M	64,39 mm
T	52 mm

IJ122016 Bearing 2D drawings and 3D CAD models