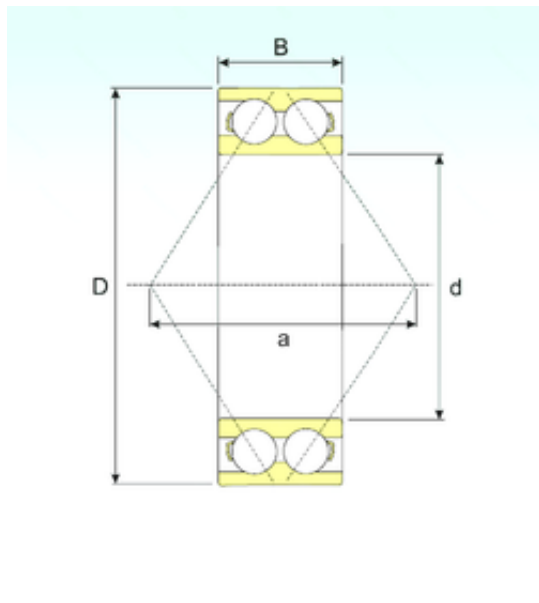




## BEARING CORP.OF AMERICA



45 mm x 85 mm x 30,2 mm ISB 3209 A angular contact ball bearings

Bearing No. 3209 A

Size	45x85x30.2 mm
Bore Diameter	45 mm
Outer Diameter	85 mm
Width	30,2 mm
d	45 mm
D	85 mm
B	30,2 mm
C	30,2 mm
a	49 mm
Weight	0,64 Kg
Basic dynamic load rating (C)	50 kN
Basic static load rating (C0)	38,22 kN
(Grease) Lubrication Speed	5740 r/min

3209 A Bearing 2D drawings and 3D CAD models