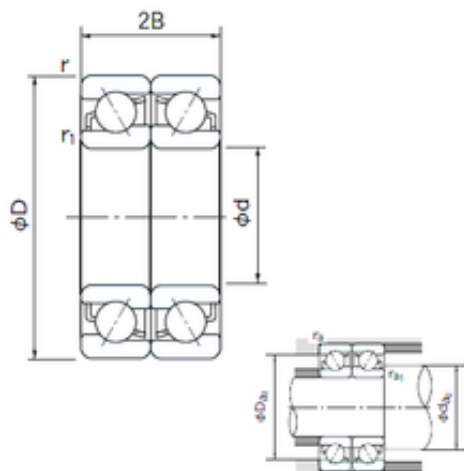




# BEARING CORP.OF AMERICA



55 mm x 120 mm x 29 mm NACHI 7311CDF  
angular contact ball bearings

Bearing No. 7311CDF

7311CDF Bearing 2D drawings and 3D CAD models

Size	55x120x29 mm
Bore Diameter	55 mm
Outer Diameter	120 mm
Width	29 mm
d	55 mm
D	120 mm
B	29 mm
C	29 mm
Angle ( ° )	15 °
a -	4.4 mm
r min.	2 mm
r1 min.	1 mm
2B	58 mm
da min.	65 mm
Da max.	114 mm
ra max.	1 mm
Weight	1.45 Kg
Basic dynamic load rating (C)	142 kN
Basic static load rating (C0)	121 kN
(Grease) Lubrication Speed	7300 r/min
Bore Type	Cylindrical Bore
Enclosure	Open
Configuration	Duplex
Bore Size	55 mm
Outside Diameter	120 mm



## BEARING CORP.OF AMERICA

Width	29 mm
Fillet Radius/Chamfer	2 mm
r1	1 mm
Dynamic Load Rating	142,000 N
Static Load Rating	121,000 N
Limiting Speed - Grease	7,300 rpm
Limiting Speed - Oil	10,000 rpm
da1 (min)	65 mm
da2 (min)	65 mm
Da1 (max)	110 mm
Da2 (max)	114 mm
ra (max)	2 mm
ra1 (max)	1 mm