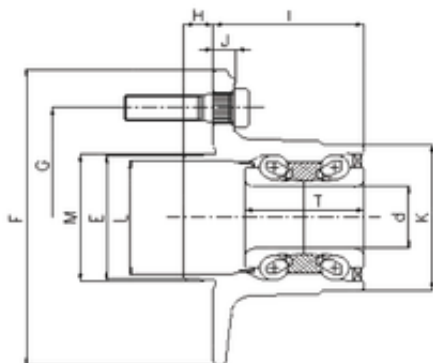




BEARING CORP.OF AMERICA

ILJIN IJ132010 angular contact ball bearings



Bearing No. IJ132010

Bore Diameter	25 mm
d	25 mm
I	54 mm
K	66,5 mm
E	59,9 mm
F	132,8 mm
G	100 mm
H	19,3 mm
J	11 mm
L	54,2 mm
M	65,9 mm
T	42,9 mm

IJ132010 Bearing 2D drawings and 3D CAD models